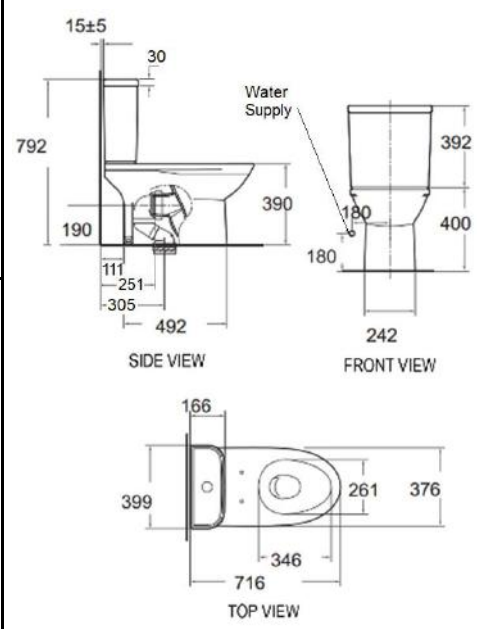




PROJECT		REF		REV	ITEM CODE	
LOCATION		DATE			PAGE	

**SANITARY WARE SPECIFICATION SHEET**

Item Descriptions	American Standard (Thailand) "Neo Modern" 3/4.5 litres vitreous china water-saving close-coupled watercloset with universal trap; ComfortClean Technology against stain, bacteria and germs; tested on BS3402:1969; test report J28269	<p>Illustration/ Drawing</p>
Outlet	High-P trayway, 190 mm Bottom trayway, RI: 305 mm	
Dimensions	L716 x W399 x H792 mm	
Model	TF2630	
Material / Colour	Vitreous China / White	
Manufacturer	American Standard (Thailand)	
Source	Acme Sanitary Ware Co. Ltd Mr. Eric Wong/ Mr. Don Yuen	
Contact Tel/Fax E-mail Website	(852) 2388-7171 / (852) 2710-8012 acme@acmesanitary.com.hk www.acmesanitary.com.hk	



**Detail specifications**

- With Soft Closing S & C (61000NS-WT)
- Flushing Type: Dual Flush 3 / 4.2 L (Top push)
- Height to rim: 390 mm / Bowl Shape: Elongated
- Comfort Clean Permanent Anti-Bacteria layer is fired in with Zinc Oxide to kill bacteria (Tested by IMSL)
- Water Saving / Easy to Clean

<b>Note:</b>	China (CP-2629 / CCAS2629-0200400C0) Thailand (TF2630/ CCAS2630-0200400C0/ 2630NSC-WT-0)
--------------	---

\* All information of the above is for the reference only. No prior notice is made if any changes.



## ComfortClean

Effectively kills E.Coli bacteria according to tests done with the Industrial Microbiological Service Ltd (IMSL).



### COMFORTCLEAN

Effectively kills E. Coli bacteria according to tests done with IMSL.

ComfortClean Antibacterial Glaze

China Glaze

Ceramic Ware



## ComfortClean Antibacterial Technology

Long-lasting Protection Against Bacteria and Germs.

American Standard ComfortClean technology: A revolutionary ceramic glaze with zinc oxide that effectively kills E. coli bacteria inside the toilet bowl for the long term and beyond, as proven in tests conducted by Industrial Microbiological Services Limited (IMSL).



## LIXIL

Link to Good Living

### About LIXIL

LIXIL is the most comprehensive and connected global company in the housing and building industry, delivering human-centric innovation that enhances people's living spaces – we call this Living Technology.

Delivering core strengths in water, housing, building and kitchen technologies, our brand portfolio businesses including LIXIL, INAX, GROHE, American Standard Brands and Permasteelisa are leaders in the industries and regions in which they operate, bringing better living solutions to the world today and for future generations.





水務署  
Water Supplies Department

總部 Headquarters

灣仔告士打道七號入境事務大樓 48 樓

Immigration Tower, 7 Gloucester Road, Wan Chai, Hong Kong



本署  
Our ref.  
來函檔號  
Your ref.

321/2020 T/J(1459/2020)

電話  
Tel. :  
傳真  
Fax. : 2824 0578

21 April 2021

Dear Sir,

**Approval of “AMERICAN STANDARD” Float Operated Valve  
(General Acceptance No. C20210408F)**

Your letters ref. WRC/2375 and C-WSD/0751 dated 4 November 2020 and 1 April 2021 respectively refer.

Having considered the test report ref. J25431r1 issued on 5 March 2021 by Nutek Systems (HK) Limited, this Authority accepts that the fitting described below complies with, and its use when correctly installed does not contravene, the Waterworks Ordinance and Regulations.

**Name of Manufacturer:** WDI (Xiamen) Technology Inc  
**Country of Origin:** the Mainland of China  
**Brand:** American Standard  
**Details of Fitting:** 5/8" Plastic float operated valve  
**Model:** PC-B3836E58  
**Body Markings:** *American Standard*  
**Expiry Date:** 16 August 2025



**Proviso:** As the fitting has not been tested for use in contact with water intended for human consumption, the fitting can only be used in flushing water plumbing system.

This Authority hereby permits the use of the above fitting in flushing water plumbing systems subject to full adherence to Waterworks installation requirements. In particular, you are required to draw your customers' attention to the following requirement-

"The flushing volume of the flushing valve should be adjusted to suit the design of the toilet bowl so that wastes can be cleared effectively by a single flush."

"The fitting should be used within the range of working pressures specified by the manufacturer." AND

"The installed fitting should not result in backflow of water that will contaminate the flushing water supply."

A condition of this acceptance is that the fitting to be installed shall be replicas of the sample as certified by the testing agent mentioned above and without modifications. This acceptance may be withdrawn at any time if the standard of the fitting installed fails to meet that of the approved sample or if the fitting is found to be unsuitable for use in flushing water plumbing systems.

For the use of the fitting in any project, the General Acceptance Number of this letter must be quoted as a means of identification of acceptance of the fitting by this Authority.

Should you have any enquiries, please contact our Engineer Mr. Terry KUNG at tel. no. 3583 4086.

Yours faithfully,



(Roger WONG)

for Director of Water Supplies

Encl.

c.c. WSD 3321/1/82 ] - without catalogue  
ME/MC ] - with soft copy only



水務署  
Water Supplies Department

總部 Headquarters

香港灣仔告士打道七號入境事務大樓 48 樓

48 Gloucester Tower, 7 Gloucester Road, Wan Chai, Hong Kong



本署檔號  
Our ref.  
來函檔號  
Your ref.

2022 T/J(1131/2022)

電話 :  
Tel. :  
傳真 : 2824 0578  
Fax. :

23 November 2022

Dear Sir,

**Approval of “AMERICAN STANDARD” Flush Valve  
(General Acceptance No. C20221086F)**

Your letter ref. WRC/2784 dated 26 September 2022 and subsequent submissions received by this department up to 2 November 2022 refer.

Having considered the test report ref. J25430r1 issued on 18 March 2022 by Nutek Systems (HK) Limited, this Authority accepts that the fitting described below complies with, and its use when correctly installed does not contravene, the Waterworks Ordinance and Regulations.

**Name of Manufacturer:** WDI (Xiamen) Technology Inc

**Country of Origin:** the Mainland of China

**Brand:** American Standard

**Details of Fitting:** 2" Plastic dual flush valve

**Model:** PC-B4910

**Body Markings:** WDI® B4910

**Expiry Date:** 31 May 2026



**Proviso:** As the fitting has not been tested for use in contact with water intended for human consumption, the fitting can only be used in flushing water plumbing system.

This Authority hereby permits the use of the above fitting in flushing water plumbing systems subject to full adherence to Waterworks installation requirements. In particular, you are required to draw your customers' attention to the following requirement-

"The flushing volume of the flushing valve should be adjusted to suit the design of the toilet bowl so that wastes can be cleared effectively by a single flush."

"The fitting should be used within the range of working pressures specified by the manufacturer." AND

"The installed fitting should not result in backflow of water that will contaminate the flushing water supply."

A condition of this acceptance is that the fitting to be installed shall be replicas of the sample as certified by the testing agent mentioned above and without modifications. This acceptance may be withdrawn at any time if the standard of the fitting installed fails to meet that of the approved sample or if the fitting is found to be unsuitable for use in flushing water plumbing systems.

For the use of the fitting in any project, the General Acceptance Number of this letter must be quoted as a means of identification of acceptance of the fitting by this Authority.

Should you have any enquiries, please contact our Engineer Ms Winnie LO at tel. no. 3583 4086.

Yours faithfully,



(YAU Hau Yin)  
for Director of Water Supplies

Encl.

c.c. WSD 3321/1/82 ] - without catalogue  
ME/MC ] - with soft copy only

## Test Report

**Test**  
 Title: Testing of WC Pan  
 Method: BS 3402: 1969  
 Report No.: J 28269  
 Completion: 30 Sep., 2022 to 11 Oct., 2022

**Applicant** (Information provided by client)  
 Name:  
 Address:



**Sample** (Information provided by client)  
 Description: Close Couple Water Closet

Brand: AMERICAN STANDARD  
 Model: 2630NSC-WT-0  
 Body Marking:   
 Manufacturer: LIXIL (Thailand) Public Company Limited  
 Origin: Thailand

### Approved Signatory

Signature:   
 Name (title): Chung Siu Yu, Alan (Engineer)  
 Date: 24 Oct., 2022

Nutek Systems is a testing agency, accepted by the Water Supplies Department, for testing water supply fittings.

REPORT NO.: J 28269

## Summary

Test	Remark
1 Visual Examination	C
2 Water Absorption	C
3 Crazeing	C
4 Chemical Resistance Test	C
5 Resistance to Staining and Burning	C

## Results (apply only to samples tested)

### 1 Visual Examination BS 3402: 1969 Cl. 5.1, 5.4 & Table 2

Location	Blemish or defect	Maximum permitted	Res.
General	Wavy finish	None on all visible surfaces	C
	Warpage	Not more than 6mm	C
	Discoloration	None on all visible surfaces	C
Flushing surface and horizontal face of rims of WC pans bidets and urinals	Spots, blister and pinholes	A total of not over three; no grouping; for coloured appliances, blister and pinhole limited to one.	C
	Bubbles and specks	Not over two in one pottery square; a total of not over four	C
	Polishing marks	One only; none permitted for coloured fixtures	C
Visible surfaces other than above	Spots, blisters and pinholes	A total of not over five; no grouping; for coloured appliances, no blisters are permitted and pinholes are limited to a total of two	C
	Bubbles and specks	Not over three in one pottery square; a total of not over ten	C
Overall result			C

### 2 Water Absorption BS 3402: 1969 Cl. 6

ID	Weight (g)		Absorption (%)	Required	Remark
	Before Test	After Test			
Sample 1	120.0	120.2	0.17	0.75% max.	C
Sample 2	127.3	127.5	0.16	0.75% max.	C
Sample 3	113.4	113.5	0.09	0.75% max.	C
Average			0.14	0.50% max.	C
Overall result					C

**3 Crazeing**  
BS 3402: 1969 Cl. 7

ID	Variable	Unit	Measured	Required	Remark
1	Saturated steam	MN/m <sup>2</sup>	0.34	0.33 - 0.35	C
	Duration	h	10	10	C
	Sample 1	---	No	No	C
	Sample 2	---	No		C
	Sample 3	---	No		C
Overall result					C

**4 Chemical Resistance Test**  
BS 3402: 1969 Cl. 8

**Table 4 — Chemical solutions**

% Name of Chemical	Strength of solution %	Time hours	Temperature
			°C
Acetic acid	10	16	100
Citric acid	10	16	100
Detergent (Note 1)	(Note 1)	48	60
Hydrochloric acid (Note 2)	(Note 2)	48	15 to 21
Sodium hydroxide	5	0.5	60
Sodium stearate	0.15	48	60
Sulphuric acid	5	16	100

NOTE 1 This consists of an aqueous solution containing 0.04 % (w/vol) of a condensation product of nonylphenol with 0-10 molecules of ethylene oxide. A suitable solution which contains 0.15% (w/vol) of the product is obtainable commercially under the trade name "Lantapel N".  
NOTE 2 This solution consists of equal volumes of water and of hydrochloric acid of specific gravity 1.18.



ID	Solution	Time (h)	Temperature (°C)	Measured	Required	Remark
1	Acetic acid	16	100	No Loss	No loss of reflectivity on glaze	C
	Citric acid	16	100	No Loss		C
	Detergent	48	60	No Loss		C
	Hydrochloric acid	48	20	No Loss		C
	Sodium hydroxide	0.5	60	No Loss		C
	Sodium stearate	48	60	No Loss		C
	Sulphuric acid	16	100	No Loss		C
Overall result						C

**5 Resistance to Staining and Burning**  
BS 3402: 1969 Cl. 9

ID	Variable	Unit	Measured	Required	Remark
1	Methylene blue	---	No Stain	No stain remains	C
	Sodium hypochlorite	---	No Stain		C
	Hydrogen peroxide	---	No Stain		C
	Amyl acetate	---	No Stain		C
	Iodine in ethanol	---	No Stain		C
2	Lighted cigarette	---	No Stain		C
Overall result					C

Figure 1 - Sample



Figure 2 - Body Marking








I certify this to be a true copy  
of the original document.

REPORT NO.: J 28269

Signed:   
Date: 2022-10-25

### General Note(s)

#### Definitions:

- C - conformance
- N - no requirement
- NC - non-conformance
- R - remainder

#### Organizations:

- WSD - Water Supplies Department (of Hong Kong)
- WHO - World Health Organization



- End of report -